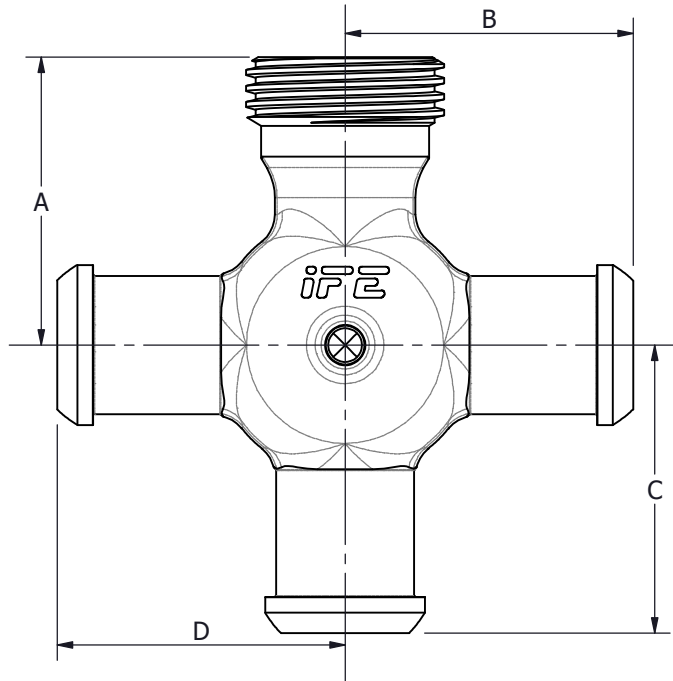
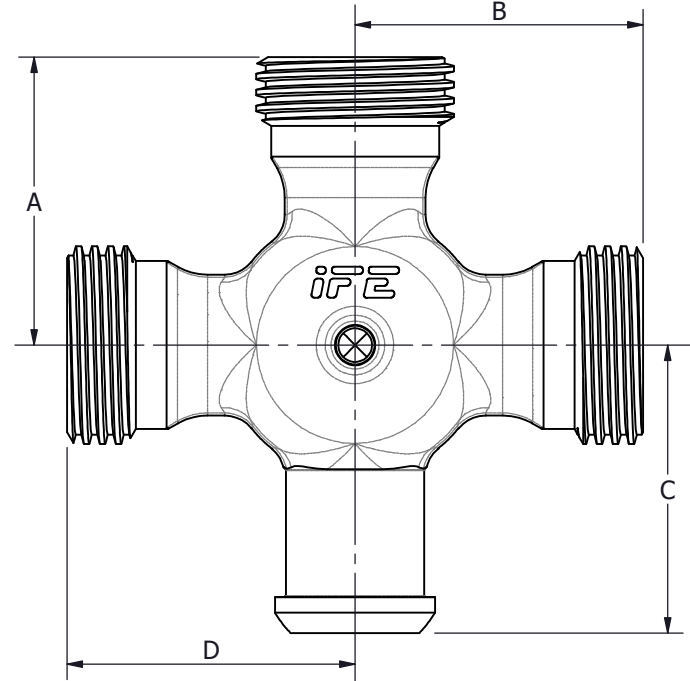


FMMM



FFFM



*Weights are estimated for shipping purposes

*Weights include wingnuts and hammer union seals

Size	MAWP (psi)	Service Rating	Configuration	Part Number	A (in)	B (in)	C (in)	D (in)	Weight (lbs)*
2" 602	6000	Sour	FMMM	04-CRS-22511-A	6.00	6.00	6.00	6.00	53
			FFFM	04-CRS-22611-A	6.00	6.00	6.00	6.00	43
2" 1502	10000	Sour	FMMM	04-CRS-23511-A	6.00	6.00	6.00	6.00	62
			FFFM	04-CRS-23611-A	6.00	6.00	6.00	6.00	46
			FMMM 5x7	04-CRS-23531-A	5.00	7.00	7.00	7.00	65
			FFFM 5x7	04-CRS-23631-A	5.00	5.00	7.00	5.00	46
	15000	Standard	FMMM	04-CRS-23512-A	6.00	6.00	6.00	6.00	62
			FFFM	04-CRS-23612-A	6.00	6.00	6.00	6.00	46
			FMMM 5x7	04-CRS-23542-A	5.00	7.00	7.00	7.00	65
			FFFM 5x7	04-CRS-23642-A	5.00	5.00	7.00	5.00	46
3" 602	6000	Sour	FMMM	04-CRS-32511-A	8.00	8.00	8.00	8.00	105
			FFFM	04-CRS-32611-A	8.00	8.00	8.00	8.00	84
3" 1502	10000	Sour	FMMM	04-CRS-33511-A	8.00	8.00	8.00	8.00	123
			FFFM	04-CRS-33611-A	8.00	8.00	8.00	8.00	96
	15000	Standard	FMMM	04-CRS-33512-A	8.00	8.00	8.00	8.00	123
			FFFM	04-CRS-33612-A	8.00	8.00	8.00	8.00	96