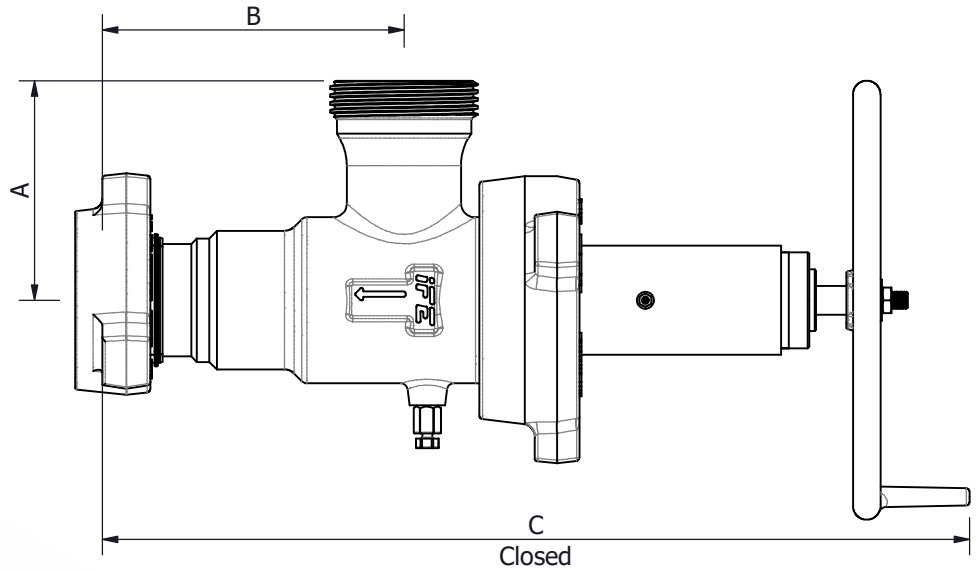
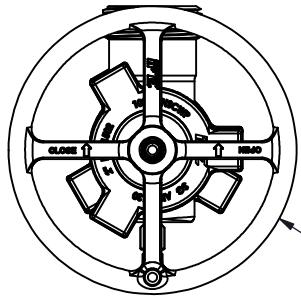


2" Adj. Choke



3" Adj. Choke



\varnothing 12" for 2" Chokes
 \varnothing 16" for 3" Chokes

*Weights are estimated for shipping purposes

Size	MAWP (psi)	Service Rating	Trim	Part Number	A (in)	B (in)	C (in)	Weight (lbs)*
2" 1502	10000	Sour	3/4"	03-CVA-23041-E	6.00	11.66	30.33	100
				03-CVA-23161-E	5.00	11.66	30.33	97
			1"	03-CVA-23041-D	6.00	11.66	30.33	100
				03-CVA-23161-D	5.00	11.66	30.33	97
	15000	Standard	3/4"	03-CVA-23042-E	6.00	11.66	30.33	100
				03-CVA-23162-E	5.00	11.66	30.33	97
			1"	03-CVA-23042-D	6.00	11.66	30.33	100
				03-CVA-23162-D	5.00	11.66	30.33	97
3" 1502	10000	Sour	1"	03-CVA-33021-D	8.00	11.00	31.63	197
				03-CVA-33061-D	8.44	11.00	31.63	197
			2"	03-CVA-33021-B	8.00	11.00	31.63	197
				03-CVA-33061-B	8.44	11.00	31.63	197
	15000	Standard	1"	03-CVA-33022-D	8.00	11.00	31.63	197
			2"	03-CVA-33022-B	8.00	11.00	31.63	197