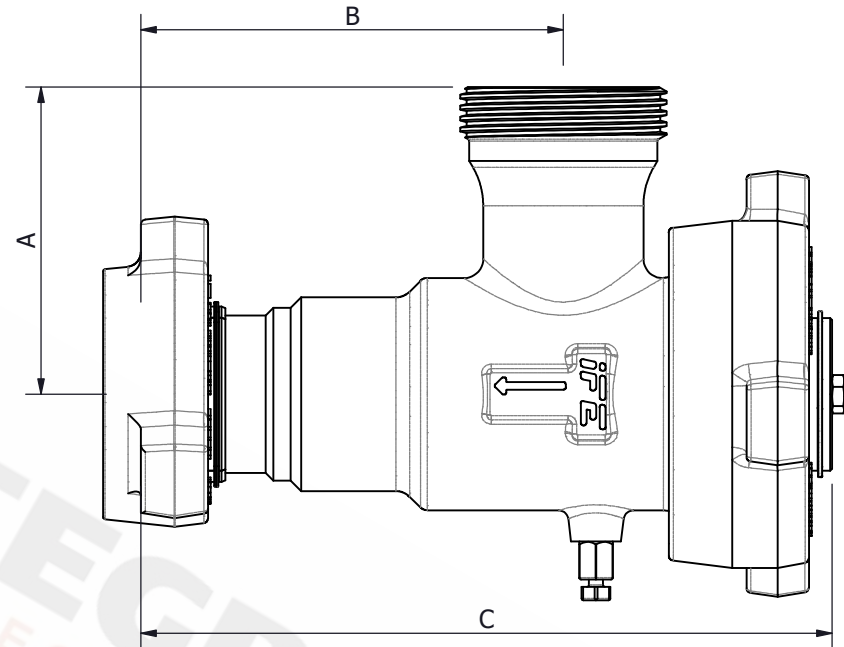


2" Pos. Choke



3" Pos. Choke

* Weights are estimated for shipping purposes

Size	MAWP (psi)	Service Rating	Part Number	A (in)	B (in)	C (in)	Weight (lbs)*
2" 1502	10000	Sour	03-CVP-23041-A	6.00	11.66	19.00	80
			03-CVP-23151-A	5.00	11.66	19.00	77
	15000	Standard	03-CVP-23042-A	6.00	11.66	19.00	80
			03-CVP-23162-A	5.00	11.66	19.00	77
3" 1502	10000	Sour	03-CVP-33021-A	8.00	11.00	18.00	155
	15000	Standard	03-CVP-33022-A	8.00	11.00	18.00	155