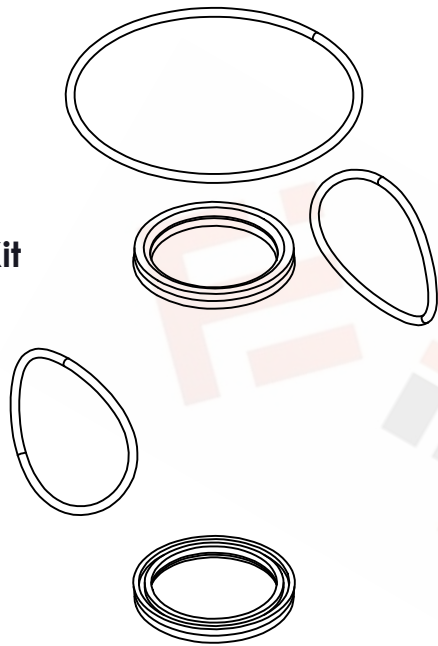
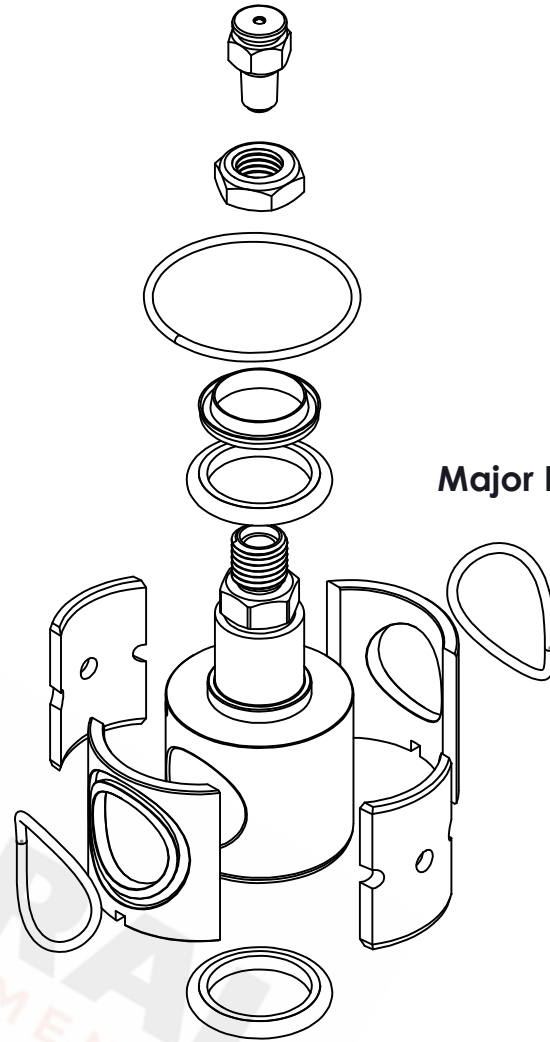


Minor Repair Kit



Major Repair Kit



*Weights are estimated for shipping purposes

Size	Type	Service Rating	Kit Style	Part Number	Bore (in)	Weight (lbs)*
2" 602	Top Entry ¹	Sour/Standard	Major Repair Kit	03-PVT-22001-20	1.69	5.6
			Minor Repair Kit	03-PVT-22001-21	1.69	0.1
2in 1502	Top Entry ²	Sour/Standard	Major Repair Kit	03-PVT-23001-20	1.69	6.6
			Minor Repair Kit	03-PVT-23000-21	1.69	0.1
3in 1502	Top Entry ²	Sour/Standard	Major Repair Kit	03-PVT-30000-20	2.75	26.7
			Minor Repair Kit	03-PVT-30000-21	2.75	0.1

¹ Fits Anson® valves

² Fits RDI® valves